



Typical Applications:

- 1) National security & surveillance at night near borders
- 2) Security & surveillance at night around factories/facilities
- 3) Security & surveillance at night around landmarks/buildings
- 4) CCTV surveillance at night
- 5) License Plate Recognition (LPR) at night
- 6) Event Data Recorder (EDR) at night

Features:

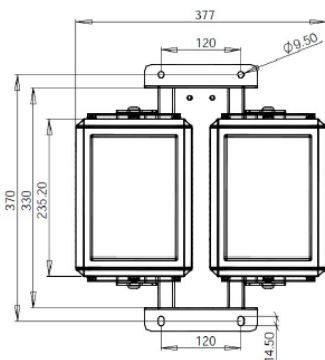
- 1) Excellent video image catching effects at night
- 2) Intelligent synchronizing technology enables to catch required real-time video images timely
- 3) Night vision distance at 300 meters
- 4) Night vision LPR distance at 80 meters
- 5) Long lifetime effectively realizes energy-saving & carbon-reducing
- 6) High illumination efficiency thanks to thin heat dissipation module design
- 7) Unique innovative light engine modular design facilitate more application possibilities & ease maintenance /replacement cost
- 8) Conform to ingress rating IP65



Specifications:

Product	Model No	LED No	Total Power Consumption (W)	Night Vision LPR Distance (m)	IR Spectrum (nm)	View Angle	Operation Voltage (AC)	Ambient temp. (°C)	Dimen. (mm) WxHxD	Wgt. (kg)
IR twin Module	IRFD0331	48	75	80	850	20	85 ~265V; 50/60Hz	-20~45	377x 400x 196	9.8

Dimension (IRFD0331):



TOPUNION GLOBALTEK INC.

2F, No. 1-8, Li-Hsin Rd., Hsinchu Science Park;
Hsinchu, Taiwan; 30078, ROC

Tel: +886-3-666-9911; Fax: +886-3-666-9922

www.tgilighting.com; Contact: sales@tgilighting.com