



Typical Applications:

- 1) Shopping malls
- 2) Business/Office areas
- 3) Schools/Libraries
- 4) Hotels/Resorts/Reception areas
- 5) Residential areas/Private mansions/Villas
- 6) Museums/Galleries / Antique exhibition areas
- 7) Factories/Industrial utilities/Warehouse

Features:

- 1) Super thin heat dissipation module & super power saving technologies make high luminous efficacy possible and accomplish energy-saving & carbon-reducing effectively.
- 2) Long lifetime (typical LED lifespan > 40,000 hrs)
- 3) High efficiency light output without glares or flickering and complying with indoor lighting standards
- 4) Streamline appearance design enriches better lighting quality
- 5) Environmental friendly luminary without UV, radiation, lead, mercury, or other hazardous materials.
- 6) High CRI value, typically >70



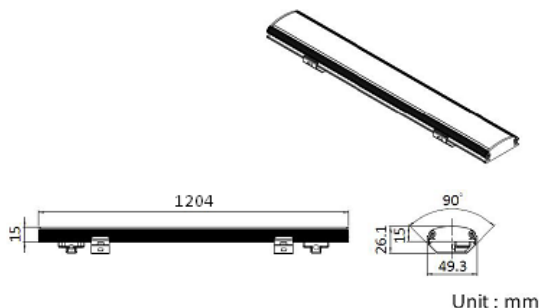
Specifications:

Color Options: Cool White/Neutral White/Warm White

Product	Model No	Total Power Consumption (W)	Illumination (lm ² , typ)	CRI* (typ)	Viewing Angle	Operation Voltage (VDC)	Ambient temp. (°C)	Dimension (mm) LxWxH
120 cm Strip Light	STP503	36.0	2,460	≥ 70	120	24	-20~45	1,204x49.3x15

* Illumination, power consumption and CRI values vary w/ LED chips & viewing angles

Dimension (STP503):



TOPUNION GLOBALTEK INC.

2F, No. 1-8, Li-Hsin Rd., Hsinchu Science Park;
Hsinchu, Taiwan; 30078, ROC

Tel: +886-3-666-9911; Fax: +886-3-666-9922

www.tgilighting.com; Contact: sales@tgilighting.com